

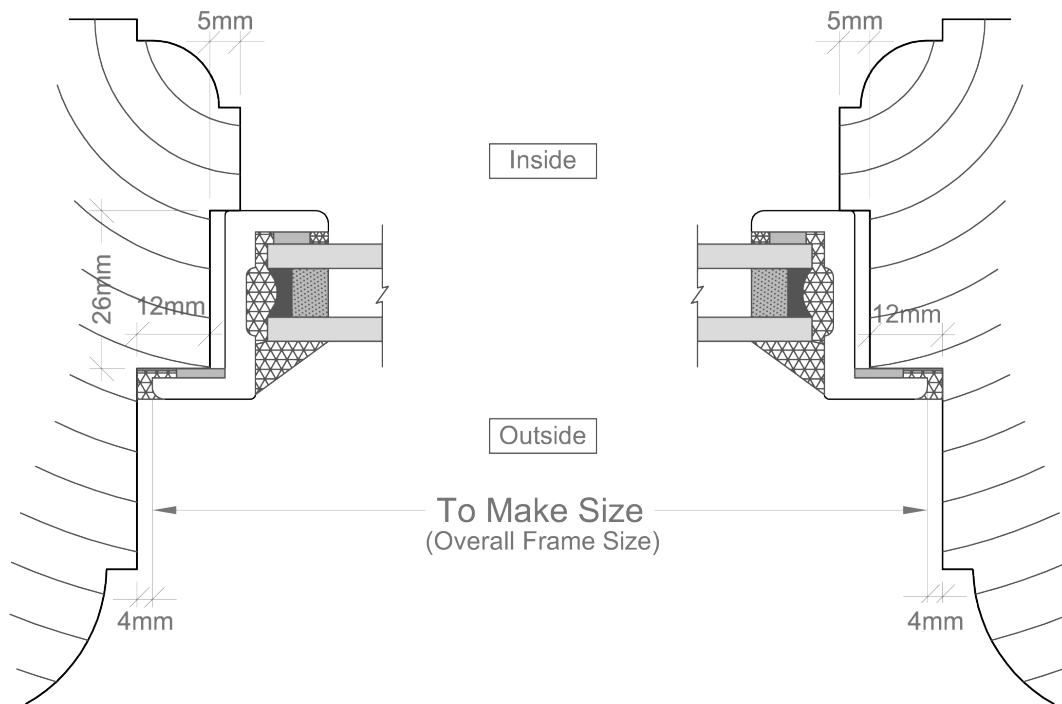
architectural BRONZE CASEMENTS

HERITAGE FIXED MEASURING SHEET - TIMBER

This sheet **must** be used in conjunction with information sheet "BR-IS 13 Measuring Instructions".

This sheet is **only** to be used for projects fitted into **timber openings**.

If you have any queries, contact us on 01476 249494 before proceeding.



PROJECT REF: _____ CASEMENT REF: _____

PLEASE MANUFACTURE CASEMENTS TO THE FOLLOWING SIZES:

_____ mm WIDE x _____ mm HIGH

Please tick box to confirm tolerance has been allowed

SIGNATURE: _____ NAME: _____

DATE: _____

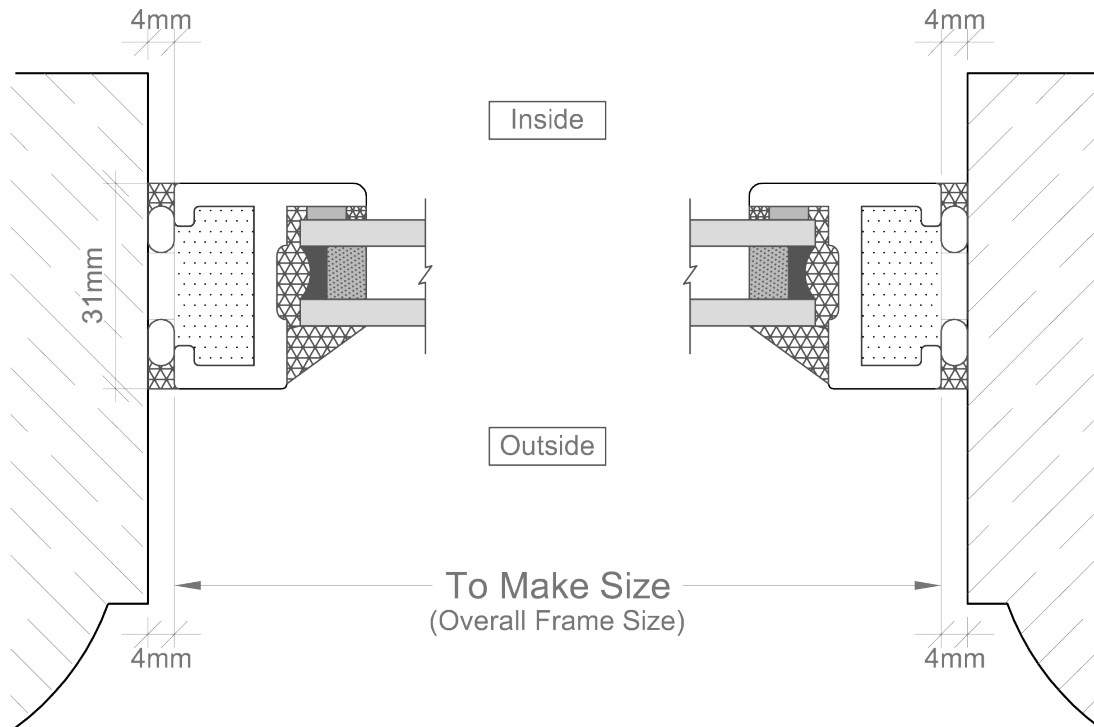
a r c h i t e c t u r a l BRONZE CASEMENTS

HERITAGE FIXED EQUAL LEG MEASURING SHEET

This sheet **must** be used in conjunction with information sheet "BR-IS13 Measuring Instructions".

This sheet is **only** to be used for projects fitted into **openings with no rebate**.

If you have any queries, contact us on 01476 249494 before proceeding.



PROJECT REF: _____ CASEMENT REF: _____

PLEASE MANUFACTURE CASEMENTS TO THE FOLLOWING SIZES:

_____ mm WIDE x _____ mm HIGH

Please tick box to confirm tolerance has been allowed

SIGNATURE: _____ NAME: _____

DATE:

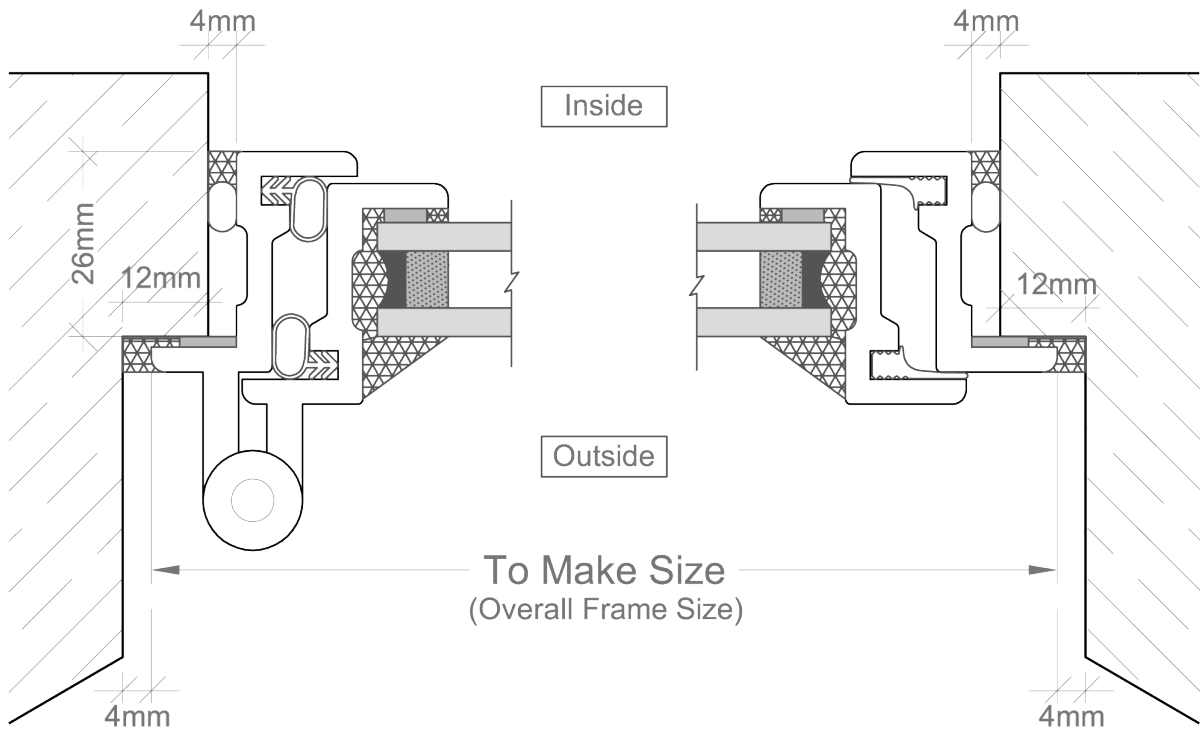
a r c h i t e c t u r a l BRONZE CASEMENTS

HERITAGE OPENING MEASURING SHEET - STONE

This sheet **must** be used in conjunction with information sheet "BR-IS13 Measuring Instructions".

This sheet is **only** to be used for projects fitted into **new or fully refurbished openings**.

If you have any queries, contact us on 01476 249494 before proceeding.



PROJECT REF: _____ CASEMENT REF: _____

PLEASE MANUFACTURE CASEMENTS TO THE FOLLOWING SIZES:

_____ mm WIDE x _____ mm HIGH

Please tick box to confirm tolerance has been allowed

SIGNATURE: _____ NAME: _____

DATE:

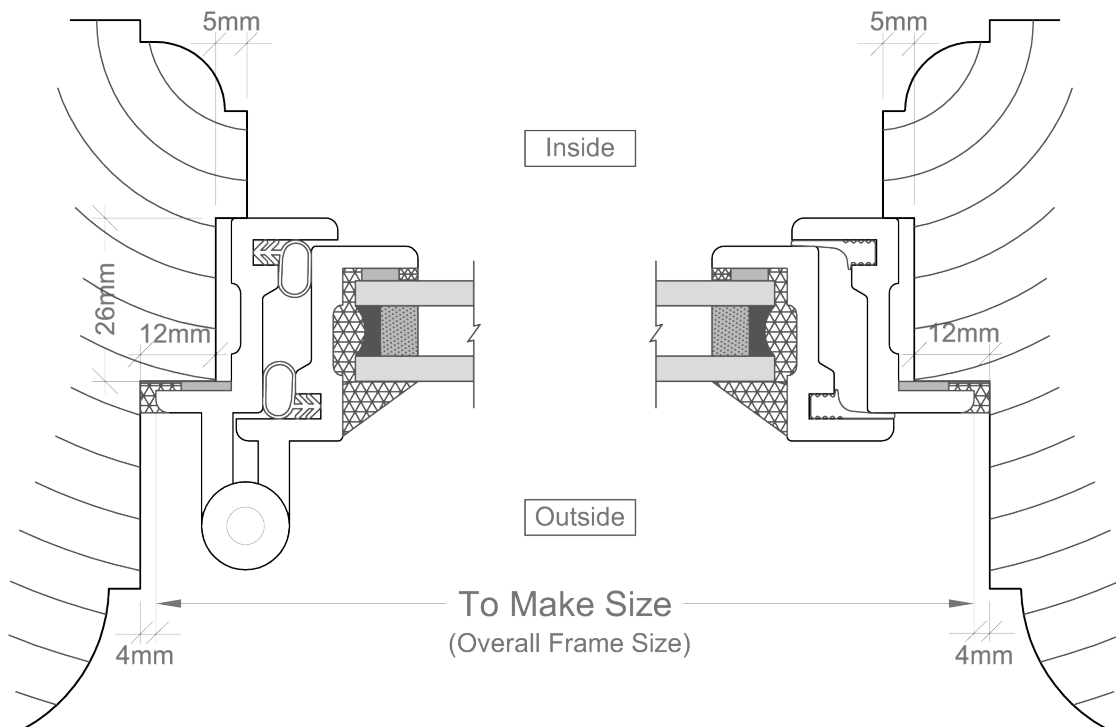
a r c h i t e c t u r a l BRONZE CASEMENTS

HERITAGE OPENING MEASURING SHEET - TIMBER

This sheet **must** be used in conjunction with information sheet "BR-IS13 Measuring Instructions".

This sheet is **only** to be used for projects fitted into **timber openings**.

If you have any queries, contact us on 01476 249494 before proceeding.



PROJECT REF: _____ CASEMENT REF: _____

PLEASE MANUFACTURE CASEMENTS TO THE FOLLOWING SIZES:

_____ mm WIDE x _____ mm HIGH

Please tick box to confirm tolerance has been allowed

SIGNATURE: _____ NAME: _____

DATE:

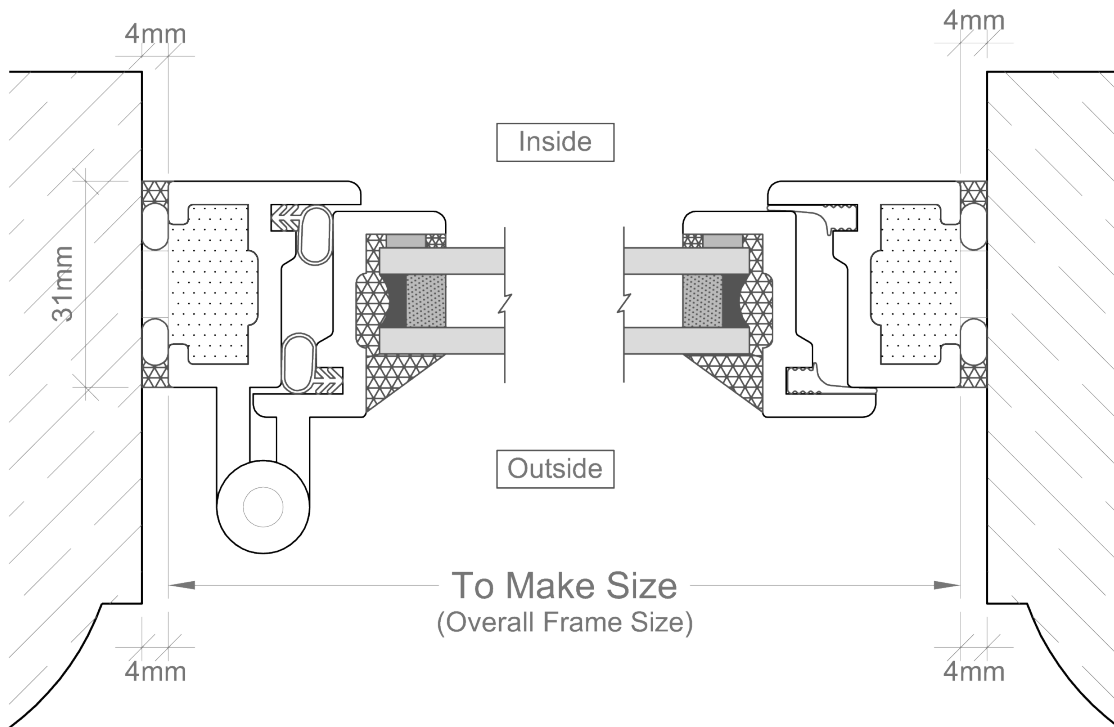
architectural BRONZE CASEMENTS

HERITAGE OPENING EQUAL LEG MEASURING SHEET

This sheet **must** be used in conjunction with information sheet "BR-IS 13 Measuring Instructions".

This sheet is **only** to be used for projects fitted into **openings with no rebate**.

If you have any queries, contact us on 01476 249494 before proceeding.



PROJECT REF: _____ CASEMENT REF: _____

PLEASE MANUFACTURE CASEMENTS TO THE FOLLOWING SIZES:

_____ mm WIDE x _____ mm HIGH

Please tick box to confirm tolerance has been allowed

SIGNATURE: _____ NAME: _____

DATE:

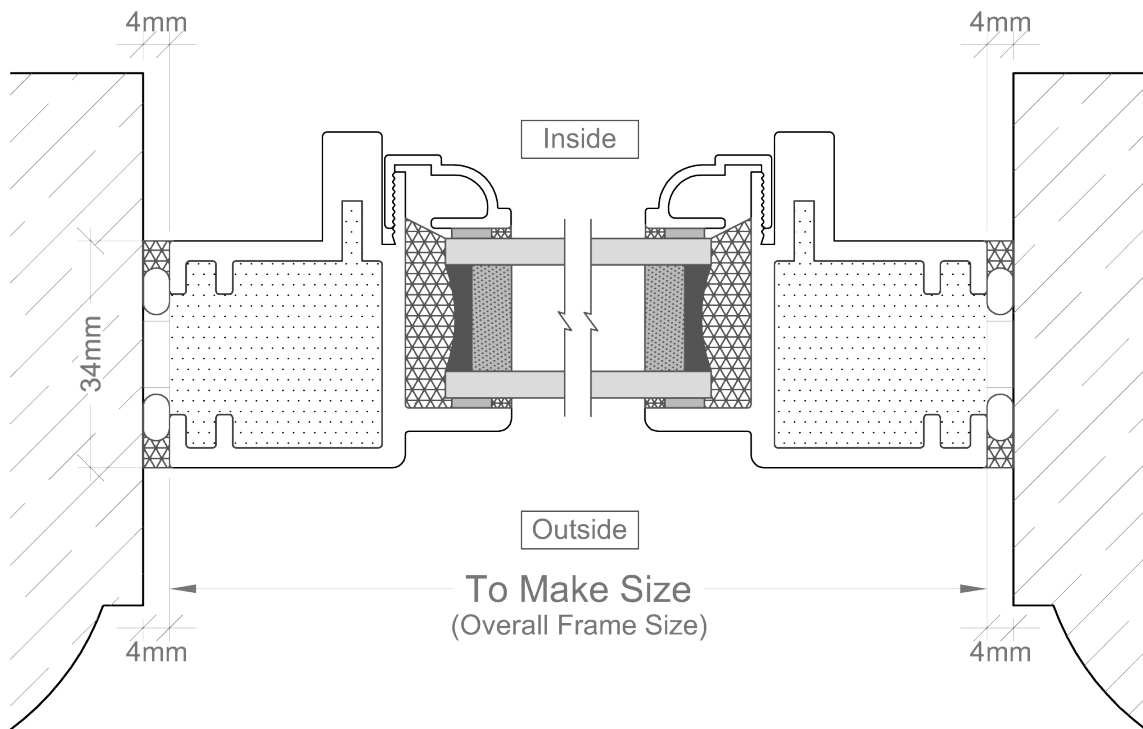
architectural BRONZE CASEMENTS

INWARD SYSTEM FIXED MEASURING SHEET

This sheet **must** be used in conjunction with information sheet "BR-IS 13 Measuring Instructions".

This sheet is **only** to be used for projects fitted into **openings with no rebate**.

If you have any queries, contact us on 01476 249494 before proceeding.



PROJECT REF: _____ CASEMENT REF: _____

PLEASE MANUFACTURE CASEMENTS TO THE FOLLOWING SIZES:

_____ mm WIDE x _____ mm HIGH

Please tick box to confirm tolerance has been allowed

SIGNATURE: _____ NAME: _____

DATE:

Inward System Fixed Measuring Sheet

Date: 08.07.2019

BR-MS 15 RevC

Head Office: Architectural Bronze Ltd.
Belton Park, Loundthorpe Road, Grantham, Lincolnshire, NG31 9SJ

Tel: 01476 249494
www.bronzecasements.com